

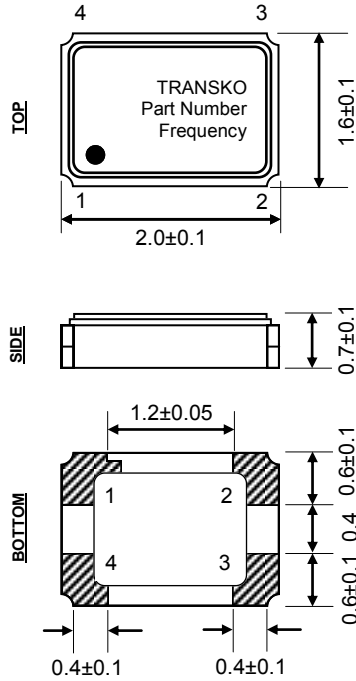
ULTRA MINITURE CERAMIC SMD TCXO / VCTCXO (2.0 x 1.6 x 0.7mm)
FEATURES

- HIGH STABILITY UP TO $\pm 0.5\text{ppm}$
- CLIPPED SINE WAVE FORM
- GPS APPLICATION


■ SPECIFICATION

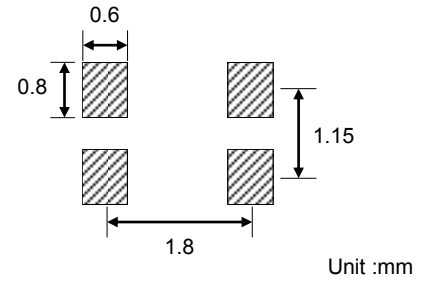
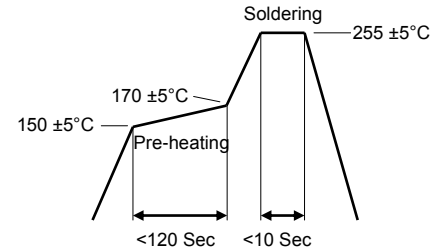
PARAMETER		MIN.	TYP.	MAX.	UNIT	NOTE
FREQUENCY RANGE		13		52	MHz	
STANDARD FREQUENCIES		16.368M, 16.369M, 19.2M, 26M, 27.456M, 33.6M, 38.4M, 52M				
FREQUENCY TOLERANCE				± 1.5	ppm	
FREQUENCY STABILITY	vs. TEMPERATURE RANGE	± 0.5		± 2.0	ppm	See P/N guide for other options
	vs. LOAD $\pm 10\%$			± 0.2	ppm	
	vs. SUPPLY VOLTAGE $\pm 5\%$			± 0.2	ppm	
	vs. AGING			± 1.0	ppm	
OPERATING TEMPERATURE RANGE		-30		85	$^{\circ}\text{C}$	See P/N guide for other options
STORAGE TEMPERATURE RANGE		-40		85	$^{\circ}\text{C}$	
SUPPLY VOLTAGE $\pm 5\%$		1.8		3.3	V	See P/N guide for other options
SUPPLY CURRENT	$13\text{MHz} \leq f \leq 30\text{MHz}$			1.5	mA	
	$30\text{MHz} < f \leq 40\text{MHz}$			1.7	mA	
	$40\text{MHz} < f \leq 52\text{MHz}$			2	mA	
OUTPUT	LOGIC FAMILY	Clipped sine wave (DC-coupling)				
	LOAD	10k Ω //10pF				
	LEVEL	0.8			V _{P-P}	
	START-UP TIME			2.0	mS	
STAND-BY VOLTAGE	ENABLE(V _{IH})	$0.8 \times V_{DD}$			V	See P/N guide for other options
	DISABLE(V _{IL})			$0.2 \times V_{DD}$	V	
FREQUENCY DEVIATION	1.8V	± 8.0		± 13.0	ppm	See P/N guide for other options
	2.5 ~ 3.3V	± 9.0		± 15.0	ppm	
CONTROL VOLTAGE	1.8V	0.1		1.7	V	
	2.5 ~ 3.3V	$0.5 \times V_{DD} - 1$		$0.5 \times V_{DD} + 1$	V	
SLOPE		Positive				
PHASE NOISE @ 12.8MHZ	1kHz		-135		dBc/Hz	
HARMONIC				-5	dBc	

Transko Electronics, Inc reserves the right to make changes to the product (s), service (s), and specification (s) described herein without notice. See "Terms of Sale" for details on our website.

PACKAGE DIMENSIONS


Unit : mm

Pin Configuration			
1	GND	V _c	EN/DIS
2	GND		
3	Output		
4	V _{CC}		

SOLDER PATTERN

REFLOW PROFILE


Note: Consult factory for detail

PART NUMBERING GUIDE
