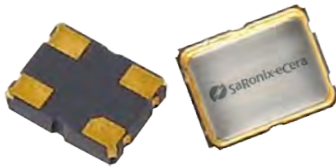


## 1.8V CMOS 32.768kHz

**KK**


3.2 x 2.5mm Ceramic SMD

**Product Features**

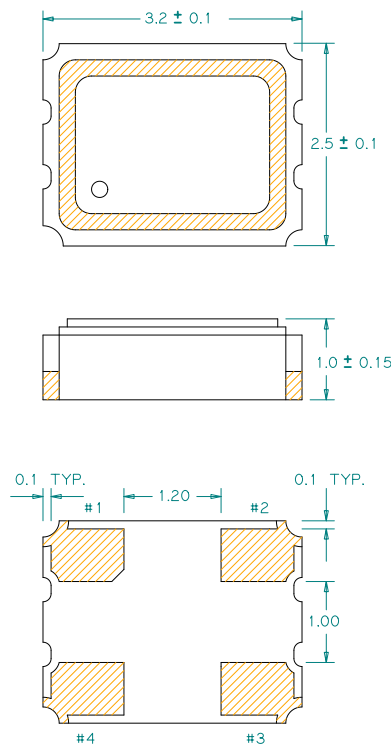
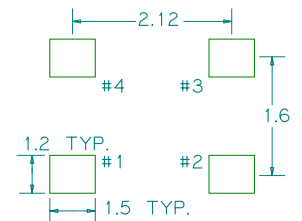
- 32.768 kHz
- 1.8V CMOS compatible logic levels
- Low power standby mode ( $< 10\mu\text{A}$ )
- Low power active mode ( $< 0.17\text{mA typ.}$ )
- Designed for standard reflow and washing techniques
- Pb-free and RoHS/Green compliant

**Product Description**

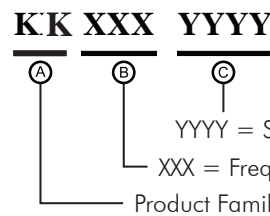
The KK Series real time clock oscillator achieves superb stability over a broad range of operating conditions. The output clock signal is compatible with LVCMOS/LVTTL logic levels. The device, available on tape and reel, is contained in a 3.2 x 2.5mm surface-mount ceramic package.

**Applications**

Real-Time Clock Oscillator

**Package: (Dimensions are in mm)**

**Recommended Land Pattern:**

**Pin Functions:**

Pin	Function
1	OE Function
2	Ground
3	Clock Output
4	V <sub>DD</sub>

**Part Ordering Information:**


Following the above format, SaRonix-eCera part numbers will be assigned upon confirmation of exact customer requirements.